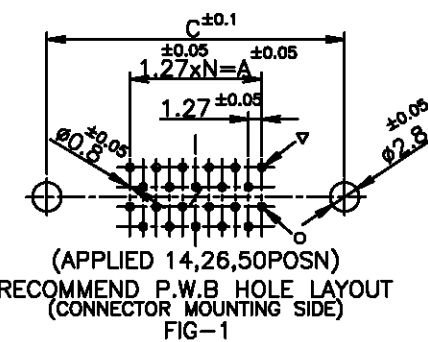
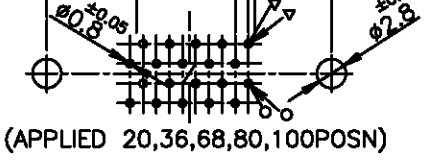
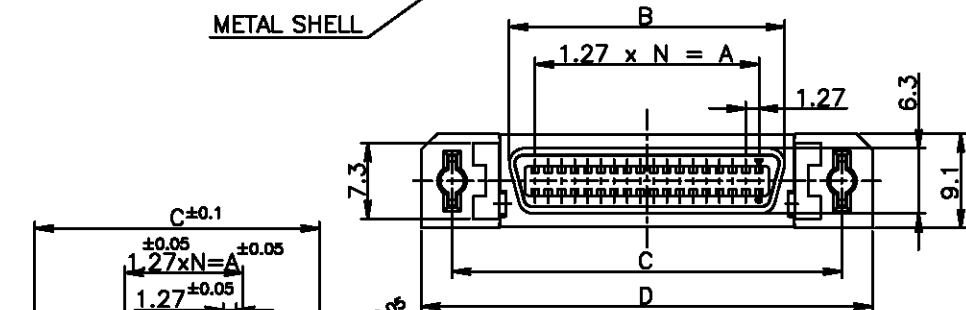
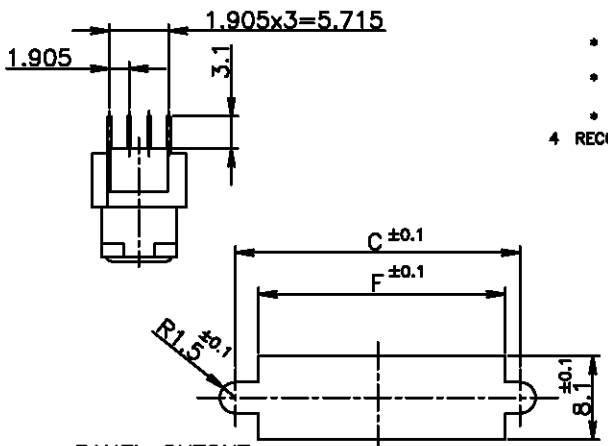
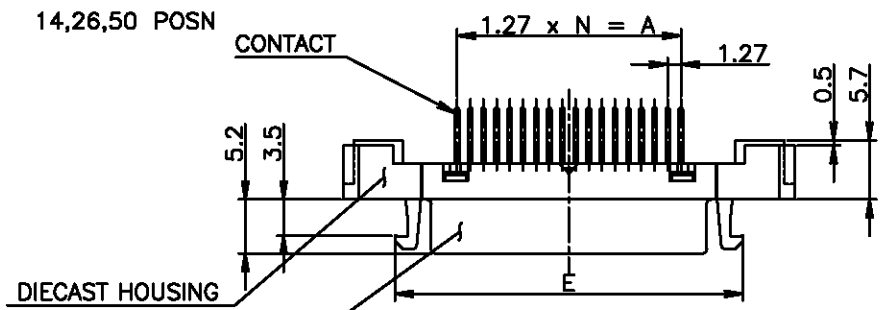
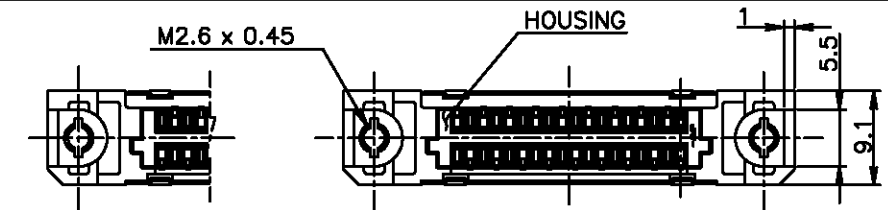


LOC	DIST	REVISIONS					
J		P	LTR	DESCRIPTION	DATE	DRN	APVD
		O	RELEASED	FJBO-0871-04	01SEP04	C.W	I.E



LEAD FREE

- USED SCREW SIZE; M2.6 PANHEAD SCREW.
- CONNECTOR TO BE MATED; 175677,5175751
- MATERIAL AND FINISH;
  - CONTACT; PHOS-BRONZE  
FINISH: Au PLATING OVER Ni UNDER PLATING ON CONTACT AREA.  
TIN PLATING OVER Ni UNDER PLATING ON SOLDER TINE AREA.
  - METAL SHELL: STEEL  
FINISH: Ni PLATING OVER COPPER UNDER PLATING.
  - DIECAST HOUSING; ZINC  
FINISH: Ni PLATING OVER COPPER UNDER PLATING.
  - HOUSING; THERMOPLASTIC, UL94V-0, BLACK
- RECOMMEND P.W.B THICKNESS; 1.6mm

PANEL CUTOUT (THK; 2mm MAX.) FIG-2

0.00076	39	61.90	61.55	71.45	65.55	54.53	49.53	80	3-5175887-0
	49	74.60	74.25	84.15	78.25	67.23	62.23	100	2-5175887-9
	33	54.20	53.93	63.83	57.93	46.91	41.91	68	2-5175887-8
	24	42.80	42.50	52.40	46.50	35.48	30.48	50	2-5175887-7
	17	33.90	33.61	43.51	37.61	26.59	21.59	36	2-5175887-5
	12	27.60	27.26	37.16	31.26	20.24	15.24	26	2-5175887-4
0.0003	9	23.80	23.45	33.35	27.45	16.43	11.43	20	2-5175887-2
	6	19.90	19.64	29.54	23.64	12.62	7.62	14	2-5175887-1
	39	61.90	61.55	71.45	65.55	54.53	49.53	80	1-5175887-0
	49	74.60	74.25	84.15	78.25	67.23	62.23	100	5175887-9
	33	54.20	53.93	63.83	57.93	46.91	41.91	68	5175887-8
	24	42.80	42.50	52.40	46.50	35.48	30.48	50	5175887-7
AU PLATING	17	33.90	33.61	43.51	37.61	26.59	21.59	36	5175887-5
	12	27.60	27.26	37.16	31.26	20.24	15.24	26	5175887-4
	9	23.80	23.45	33.35	27.45	16.43	11.43	20	5175887-2
	6	19.90	19.64	29.54	23.64	12.62	7.62	14	5175887-1
	N	F	E	D	C	B	A	POSN	PART NO.

THIS DRAWING IS A CONTROLLED DOCUMENT.

DMN	01SEP04	Tyco Electronics AMP K.K. Kawasaki, Japan			
CHK	01SEP04				
APVD	01SEP04	Tyco Electronics			
NAME					
PRODUCT SPEC	108-60043	REC HEADER ASSY, VERTICAL CHAMP .050 SERIES (II) STD-TYPE (M2.6)			
APPLICATION SPEC		SIZE	CAGE CODE	DRAWING NO	RESTRICTED TO
WEIGHT		A3	00779	C-5175887	
CUSTOMER DRAWING		SCALE	2:1	SHEET	1 OF 1
				REV	0